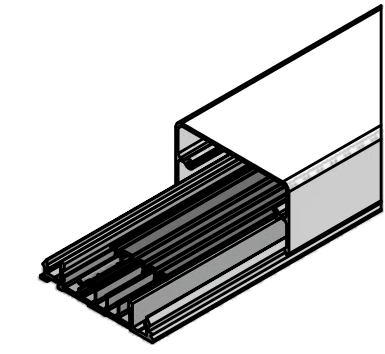


POWER: 1:8



**RATINGS:**  
 20AMP, 60AMP  
 240VAC, 3 $\phi$  / 4W / ISOLATED GROUND

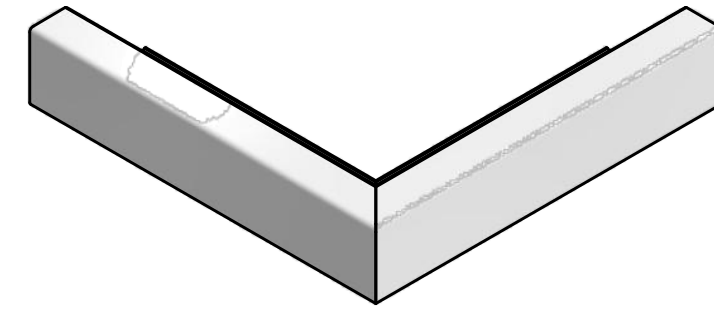
JOINT KIT: 1:8



SRPJK-PIR-SIL  
 Power joint kit

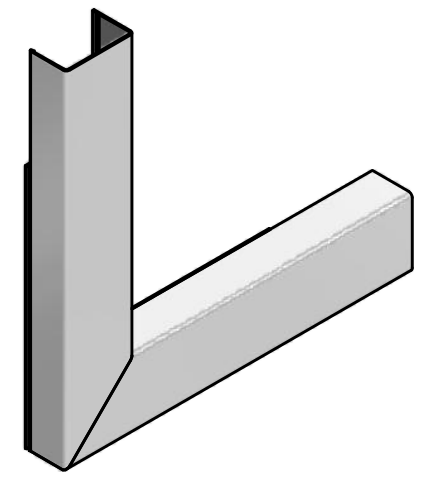
EXTERNAL HORIZONTAL ELBOW: POWER 1:8

INCLUDES (2) BUS CONNECTORS AND (2) BUS CONNECTOR KEEPERS

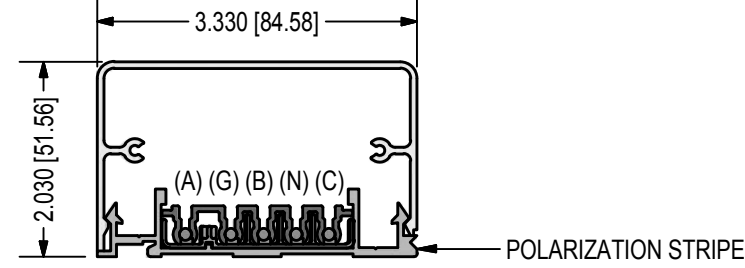


UP VERTICAL ELBOW: POWER 1:8

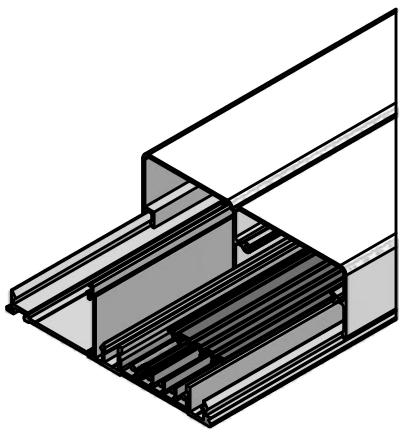
INCLUDES (2) BUS CONNECTORS AND (2) BUS CONNECTOR KEEPERS



CROSS SECTION - POWER: 1:2

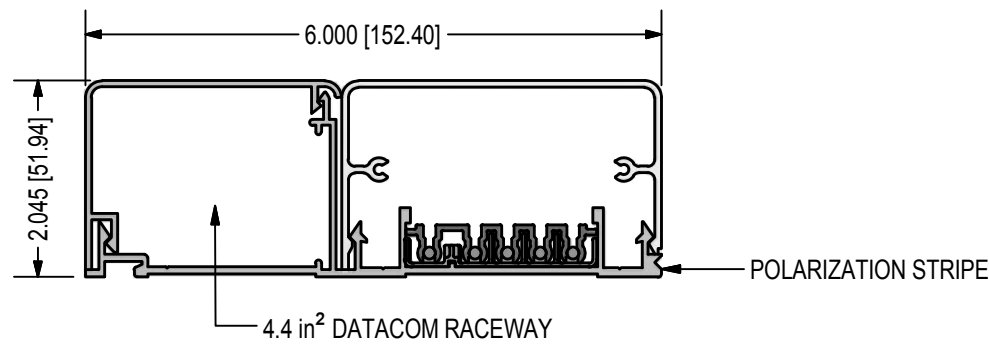


POWER AND DATA 1:8



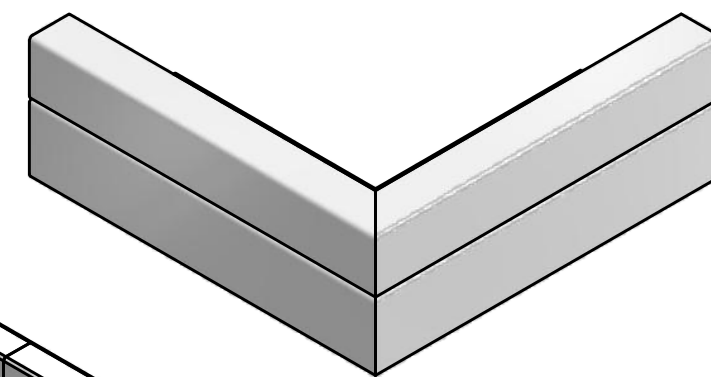
**RATINGS:**  
 20AMP, 60AMP  
 240VAC, 3 $\phi$  / 4W / ISOLATED GROUND

CROSS SECTION - POWER / DATA: 1:2



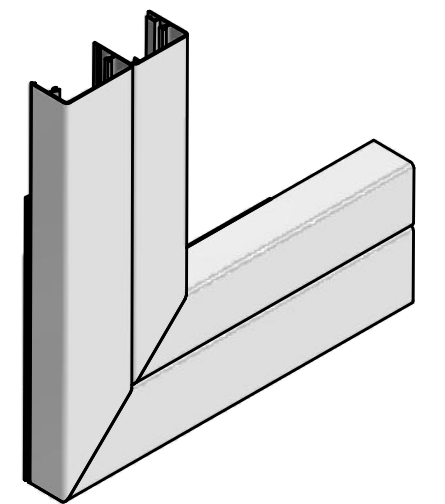
EXTERNAL HORIZONTAL ELBOW: POWER/DATA 1:8

INCLUDES (2) BUS CONNECTORS AND (2) BUS CONNECTOR KEEPERS

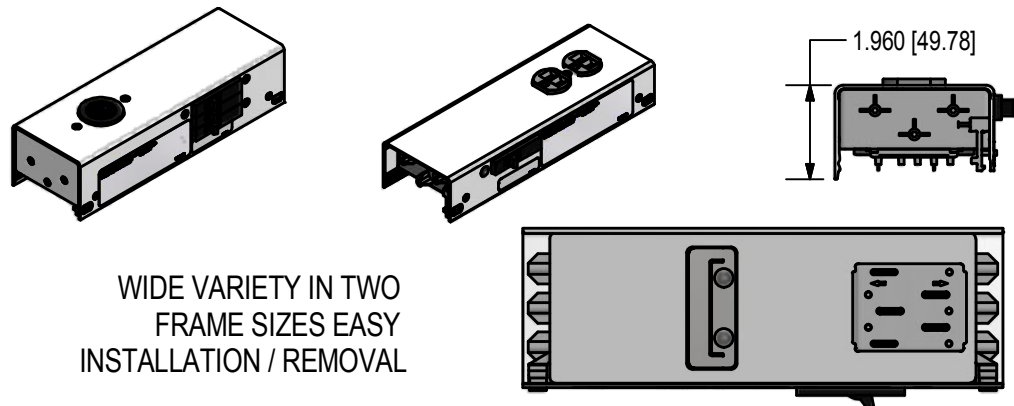


UP VERTICAL ELBOW: POWER/DATA 1:8

INCLUDES (2) BUS CONNECTORS AND (2) BUS CONNECTOR KEEPERS

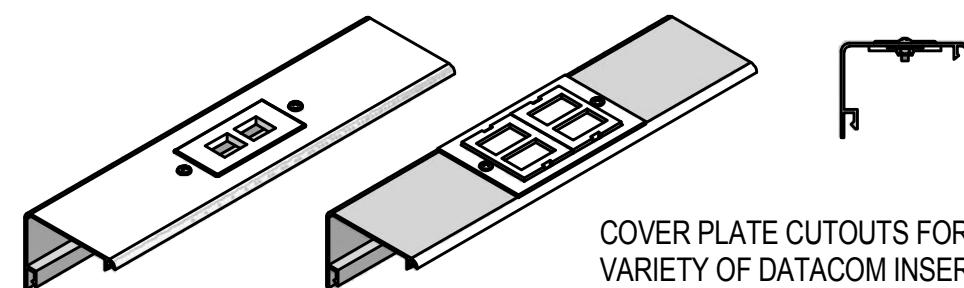


PLUG-IN MODULES: 1:4



WIDE VARIETY IN TWO  
 FRAME SIZES EASY  
 INSTALLATION / REMOVAL

DATA PLUG-IN MODULE: 1:4



COVER PLATE CUTOUTS FOR WIDE  
 VARIETY OF DATA COM INSERTS.

Revision History			
REV	DATE	REV BY	APPR BY
A	6/16/2016	eschultz	tem
Original Issue			

Welding & Assembly Tolerances		Finished Goods Part Number Assignment	
DECIMALS	ANGULAR	(S/R) - Orientation	C - Color (Paint)
X ± 0.1"	X ± 0.3°	Standard	Standard
XX ± 1/16"	XX ± 1.5°	Reversed	Reversed

<b>UNIVERSAL</b> ELECTRIC CORPORATION			
SYSTEM LAYOUT - DUAL			
DRAWN BY	DATE	DRAWING NUMBER	
eschultz	6/16/2016	F2400002	
APPROVED BY	DATE	SCALE	
tem	6/16/2016	1	
SHEET		1	